

VERIFICATION STATEMENT

GLOBE Performance Solutions

Verifies the performance of

Hydroworks® HydroStorm (HS) Hydrodynamic Separator

Developed by Hydroworks, LLC
Roselle, NJ, USA

Registration: **GPS-ETV_VR2024-05-31_HS**

In accordance with

ISO 14034:2016

**Environmental management —
Environmental technology verification (ETV)**



John D. Wiebe, PhD
Executive Chairman
GLOBE Performance Solutions

May 31, 2024
Vancouver, BC, Canada



Verification Body
GLOBE Performance Solutions
404 – 999 Canada Place | Vancouver, B.C | Canada |V6C 3E2

Technology description and application

The Hydroworks® HydroStorm (HS) Hydrodynamic Separator is a concrete cylindrical device with an annular pre-treatment channel, an inner chamber, and lower collection sump. A schematic of the HS 4 test unit is shown in Figure 1. The pre-treatment channel extends below the outlet pipe invert and contains three intermediate low-flow weirs (flush with the outlet invert), and two downstream higher bypass weirs that extend above the outlet invert. The higher weirs bypass high flows to prevent oil and solids from being scoured out of the separator.

As water enters the unit through one or more inlets, coarser solids immediately start to settle below a horizontal grate extending from the inlet to two sets of lower weirs near the outlet pipe. The grating is positioned over the pre-treatment channel to help displace the inflow turbulence and protect the captured sediment from scour. Openings are located on the horizontal plate upstream of each weir to allow the flow to be conveyed into the inner chamber and lower sump. The weirs are positioned to create a counter clockwise rotation of water in the inner chamber to minimize turbulence and maximize settling. After water spirals down the inner chamber to the main settling chamber towards the floor of the separator where it deposits suspended sediments, it flows upwards between the wall of the unit and the outer edge of the disk extended from the inner chamber and through an arced opening at the bottom of the pre-treatment disk, downstream of the bypass weirs, where it is conveyed into the outlet pipe. An annular secondary horizontal plate with 32% of open-perforations is located within the lower sump to protect the collected sediment from scour. Oil and light liquids enter the inner chamber through the holes, reaching the bottom of the pre-treatment area and rises to the top of the water level where they are trapped.

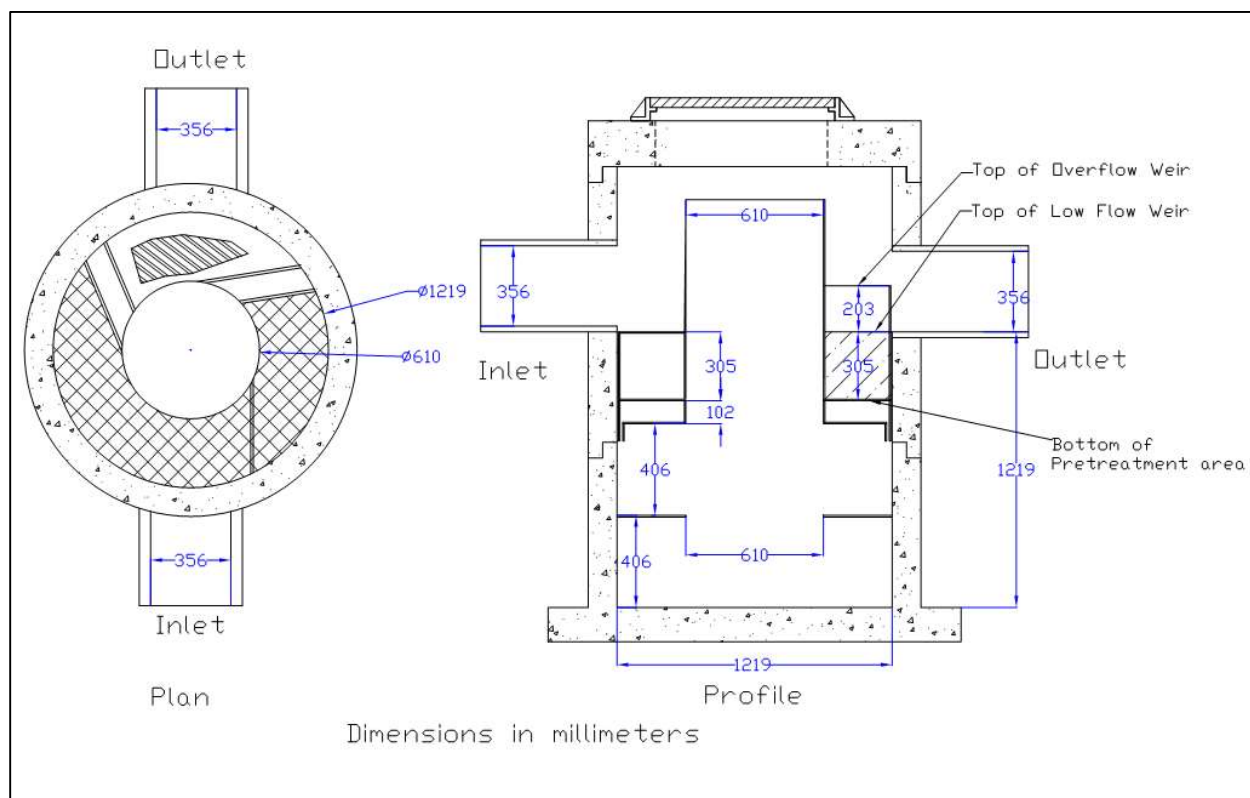


Figure 1: Schematic of the Hydroworks® HS4 Hydrodynamic Separator treatment unit tested as part of this verification.

Performance conditions

The data and results published in this Technology Fact Sheet were obtained from the testing program conducted on the Hydroworks® HS4 Hydrodynamic Separator, in accordance with the *Procedure for Laboratory Testing of Oil-Grit Separators (Version 3.0, June 2014)*. The Procedure was prepared by the Toronto and Region Conservation Authority (TRCA) for the Canadian Environmental Technology Verification Program. A copy of the Procedure may be accessed on the Canadian ETV website at www.etvcanada.ca.

Performance claim(s)

Capture test¹:

During the capture test, the Hydroworks® HS Hydrodynamic Separator, with a false floor set to 50% of the manufacturer's recommended maximum sediment storage depth and a constant influent test sediment concentration of 200 mg/L, removes 69, 64, 60, 56, 46, 41, and 36 percent of influent sediment by mass at surface loading rates of 40, 80, 200, 400, 600, 1000, and 1400 L/min/m², respectively.

Scour test¹:

During the scour test, the Hydroworks® HS Hydrodynamic Separator, with 10.2 cm (4 inches) of test sediment pre-loaded onto a false floor reaching 50% of the manufacturer's recommended maximum sediment sump storage depth and sediment loaded onto the pre-treatment channel emulating depositional pattern of the 40 L/min/m² capture test, generate corrected effluent concentrations of 22.4, 28.5, 20.0, 19.1, and 24.4 mg/L at 5-minute duration surface loading rates of 200, 800, 1400, 2000, and 2600 L/min/m², respectively.

Light liquid re-entrainment test¹:

During the light liquid re-entrainment test, the Hydroworks® HS Hydrodynamic Separator with surrogate low-density polyethylene beads preloaded within the inner chamber, representing a floating light liquid volume equal to a depth of 50.8 mm over the sedimentation area, retains 100, 99.9, 95.4, 95.7, and 97.5 percent of loaded beads by mass during the 5-minute duration surface loading rates of 200, 800, 1400, 2000, and 2600 L/min/m², respectively.

Performance results

The test sediment consisted of ground silica (1 – 1000 micron) with a specific gravity of 2.65, uniformly mixed to meet the particle size distribution specified in the testing procedure. The *Procedure for Laboratory Testing of Oil Grit Separators* requires that the three sample average of the test sediment particle size distribution (PSD) meet the specified PSD percent less than values within a boundary threshold of 6%. The comparison of the average test sediment PSD to the CETV specified PSD in Figure 2 indicates that the test sediment used for the capture and scour tests met this condition.

¹ The claim can be applied to other units smaller or larger than the tested unit as long as the untested units meet the scaling rule specified in the Procedure for Laboratory of Testing of Oil Grit Separators (Version 3.0, June 2014)

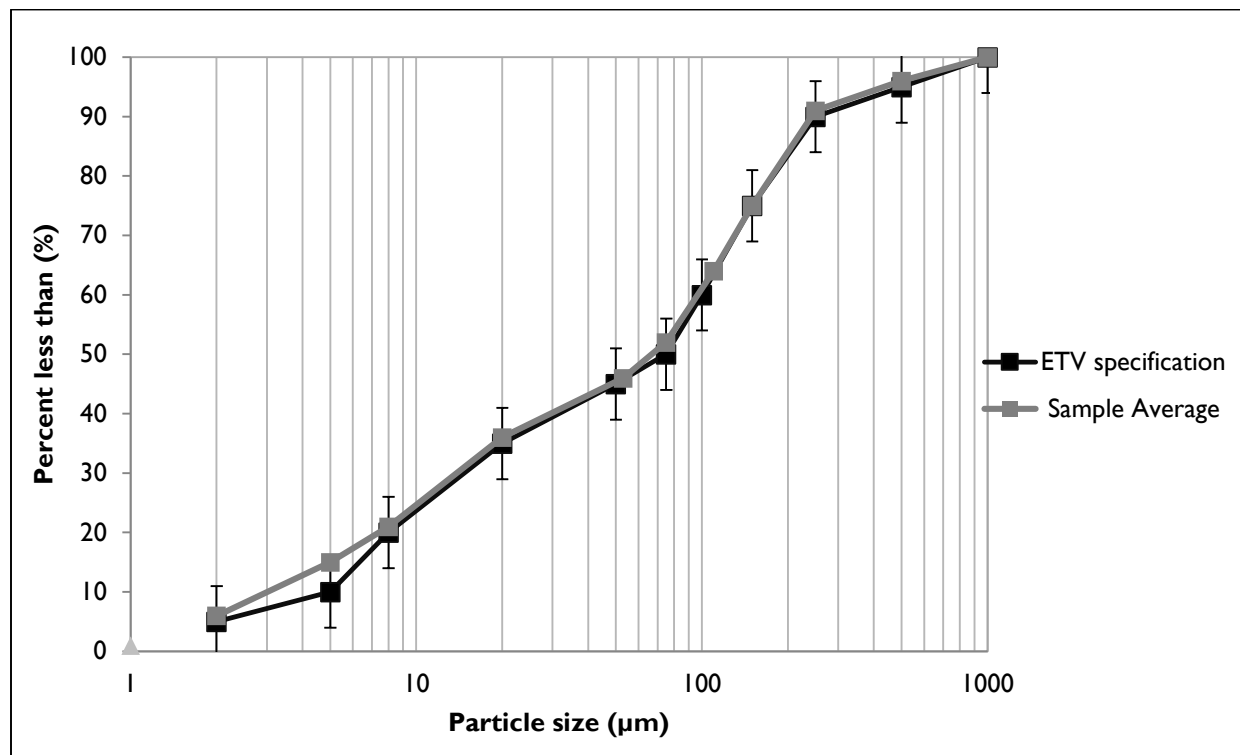


Figure 2. The three sample average particle size distribution (PSD) of the test sediment used for the capture and scour test compared to the specified PSD.

The capacity of the device to retain sediment was determined at seven surface loading rates using the modified mass balance method. This method involved measuring the mass and particle size distribution of the injected and retained sediment for each test run. Performance was evaluated with a false floor at 0.15 m from the bottom, simulating the technology filled to 50% of the manufacturer’s recommended maximum sediment storage depth. The test was carried out with clean water that maintained a sediment concentration below 20 mg/L. Based on these conditions, removal efficiencies for individual particle size classes and for the test sediment as a whole were determined for each of the tested surface loading rates (Table I).

In some instances, the removal efficiencies were above 100% for certain particle size fractions. These discrepancies are not unique to any one test laboratory and may be attributed to errors relating to the blending of sediment, collection of representative samples for laboratory submission, and laboratory analysis of PSD. Due to these errors, caution should be exercised in applying the removal efficiencies by particle size fraction for the purposes of sizing the tested device (see [Bulletin # CETV 2016-11-0001](#)). The results for “all particle sizes by mass balance” (see Table I and 2) are based on measurements of the total injected and retained sediment mass, and are therefore not subject to blending, sampling or PSD analysis errors.

Table I. Removal efficiencies (%) of the HS4 unit at specified surface loading rates.

Particle size fraction (µm)	Surface loading rate (L/min/m ²)						
	40	80	200	400	600	1000	1400
>500	73	100*	98	67	100*	100*	26
250 - 500	100	100*	92	64	100*	98	48
150 - 250	100*	75	89	72	89	60	69
105 - 150	94	100*	100*	100*	78	99	91
75 - 105	96	76	79	95	68	54	46
53 - 75	87	100*	100*	100*	56	69	65
20 - 53	71	54	46	44	19	14	10
8 - 20	38	23	15	8	2	2	2
5 - 8	13	6	1	1	0	0	0
<5	8	0	0	0	0	0	0
All particle sizes by mass balance	68.6	64.0	60.0	56.1	46.1	41.2	35.7

* Removal efficiencies were calculated to be above 100%. Calculated values ranged between 103 and 194% (average 128%). See text and [Bulletin # CETV 2016-11-0001](#) for more information.

Figure 3 compares the particle size distribution (PSD) of the three sample average of the test sediment to the PSD of the sediment retained by the HS4 unit at each of the tested surface loading rates. As expected, the capture efficiency for fine particles in the unit was generally found to decrease as surface loading rates increased.

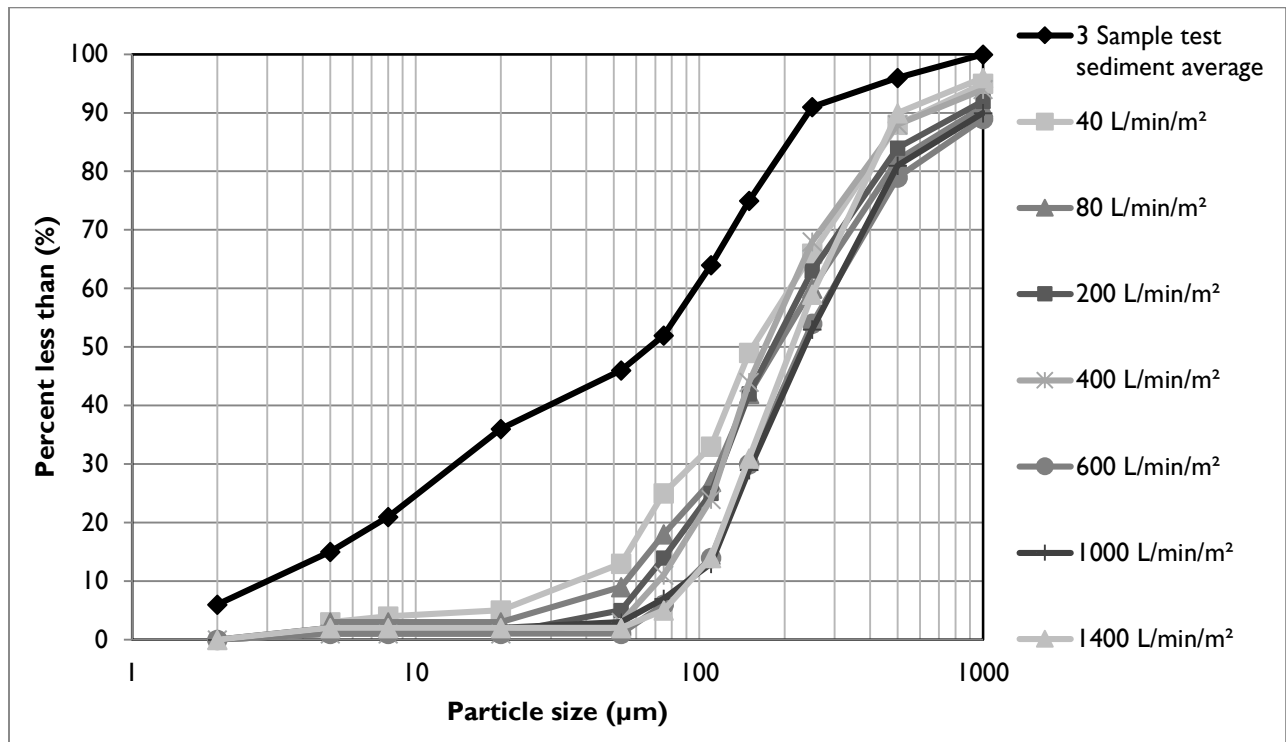


Figure 3. Particle size distribution of sediment retained in the HS4 unit in relation to the injected test sediment average.

For the sediment scour and re-suspension test, two tests were conducted. The first test was conducted with the secondary plate used in the capture tests. The second used a perforated secondary plate. Since sediment during the capture tests was found to settle in the pre-treatment channel, and in roughly the same quantities on the secondary plate and collection sump, all three of these surfaces were preloaded with sediment during the first test. The pre-treatment channel only captures coarse sediment. Therefore, this area was pre-loaded with sediment having a PSD similar to the PSD of the sediment that settled in this area during the 40 L/min/m² SLR sediment capture test. The pre-loaded sediment in the pre-treatment channel was shaped and leveled to correspond with sedimentation patterns and depths observed by the laboratory technician during the 40 L/min/m² SLR capture test. It should be noted that the actual sediment preloaded in this area was finer than the PSD of sediment captured in the same area during the 40 L/min/m² SLR capture test, particularly for particle sizes less than the median size. Both the sump and secondary plate were pre-loaded with the 1-1000 µm sediment mix to a depth of 10.2 cm. The preloaded sediment in the lower sump was placed on a false floor to mimic a device filled to 50% of the manufacturer's maximum recommended sediment storage depth.

After pre-loading the sediment, clean water was run through the device at five SLRs over a 25 minute period. At each SLR, five effluent samples were collected over a four minute interval (one per minute) with the first sample collected at the beginning of each flow rate, and the last collected just prior to the one minute transition to the next flow rate or end of the test. Effluent samples were analyzed for Suspended Sediment Concentration (SSC) and PSD by methods prescribed in the *Procedure*. The effluent samples were subsequently adjusted based on the background concentration of the influent water and the smallest 5% of particles captured during the 40 L/min/m² sediment capture test (7 µm), as per the method described in [Bulletin # CETV 2016-09-0001](#).

Measurements of sediment depths in the sump after the first test showed that most of the sediment from the secondary plate was carried into the lower sump. During this process, the fine sediment was likely re-suspended and carried out of the unit with the flow. The average adjusted effluent suspended sediment concentrations for each SLR ranged from 11.3 mg/L at the 200 L/min/m² SLR to 196.7 mg/L at the 1400 L/min/m² SLR. Effluent SSCs declined after the 1400 L/min/m² SLR because the unit begins to bypass flow at this rate. It should be noted that this was a very conservative test as sediment was preloaded in three areas, rather than in the lower sump alone, and the preloaded sediment on the pre-treatment channel and secondary plate had a finer PSD than the sediment found to settle in these areas during the lowest SLR capture test.

The second sediment scour test was conducted on an identical unit but with a 32% open-area perforated secondary plate of the same size and orientation as the solid plate used in the first test. The perforated plate was intended to allow most of the sediment to settle in the lower sump, while still protecting against sediment scour, and not affecting the capacity of the unit to capture sediment. A second capture test was run at the 600 L/min/m² SLR to confirm that the perforated plate would have the same flow characteristics and removal efficiencies as the solid plate. Results of this comparison presented in Table 2 show that removal efficiencies were not affected and that the collection sump was receiving the majority of sediment transported into the lower chamber. Based on the observed sediment deposition zones, the second repeat test with the perforated plate had sediment preloaded in the pre-treatment channel and the lower collection sump only (*i.e.* the major deposition zones). The collection sump was preloaded with 10.2 cm of the 1- 1000 µm test sediment mix, as in the first test, and the pre-treatment channel was preloaded in much the same way as the first test, but with a sediment PSD that more closely mimicked the PSD of sediment observed to settle in this area during the 40 L/min/m² sediment capture test.

Table 2: Injected mass captured at the 600 L/min/m² SLR for two different configurations of the secondary plate

Secondary Plate type	Target Surface Loading Rate (L/min/m ²)	Tested Flow Rate (L/min)	Removal Efficiency (%)	Pre-treatment Channel (%)	Secondary Plate (%)	Outlet Dispersion Plate (%)	Collection Sump (%)
Solid Plate	600	736.2	46.1	24.7	8.5	3.1	9.9
Perforated Plate	600	740.9	45.9	25.8	2.7	3.0	14.5

Results of the second test are presented in Table 3. Background concentrations were maintained below 10.5 mg/L. The average adjusted effluent suspended sediment concentrations ranged from 19.1 to 28.5 mg/L. Since the commercially available unit will have a perforated secondary plate, these concentrations are the appropriate values to consider for approvals. The verifier acknowledges that the sediment capture removal efficiencies were not all tested with the perforated plate (see variance notes below), but that the repeat test results at the 600 L/min/m² SLR and a statement from the independent test laboratory were sufficient to provide reasonable confidence that the added perforations in the secondary plate would have negligible influence on sediment removal efficiencies.

Table 3. Scour test adjusted effluent sediment concentrations

Run	Surface loading rate (L/min/m ²)	Run time (min)	Background sample concentration (mg/L) ^a	Average adjusted effluent suspended sediment concentration (mg/L) ^b
1	200	5	3.6	22.4
2	800	5	8.9	28.5
3	1400	5	7.6	20.0
4	2000	5	10.4	19.1
5	2600	5	6.0	24.4

^a Background concentrations shown here are approximate values based on graphical interpolation

^b The adjusted effluent suspended sediment concentration represents the actual measured effluent concentration minus the background concentration. For more information see [Bulletin # CETV 2016-09-0001](#). Adjusted concentrations were only calculated for the average of the five samples collected per surface loading rate.

The results of the light liquid re-entrainment test used to evaluate the unit’s capacity to prevent re-entrainment of light liquids are reported in Table 4. The test involved preloading 58.3 L (corresponding to a 5 cm depth over the collection sump area of 1.17m²) of surrogate low-density polyethylene beads (Dow Chemical Dowlex™ 2517) within the inner chamber and running clean water through the device continuously at five surface loading rates (200, 800, 1400, 2000, and 2600 L/min/m²). Each flow rate was maintained for 5 minutes with approximately 1 minute transition time between flow rates (30 minutes total). The effluent flow was screened to capture all re-entrained pellets throughout the test. Results showed maximum re-entrainment of 4.6% at 1400 L/min/m², which is the highest SLR without bypass. Re-entrainment decreased at subsequent SLRs as bypass volumes increased.

Table 4. Light liquid re-entrainment test results for the HS4

Surface Loading Rate (L/min/m ²)	Time Stamp (min)	Amount of Beads Re-entrained			
		Mass (g)	Volume (L)	% of Pre-loaded Mass Re-entrained	% of Pre-loaded Mass Retained
200	1:00 – 6:00	0	0	0.00	100
800	7:00 – 12:00	49	0.1	0.1	99.9
1400	13:00 – 18:00	1523	2.7	4.6	95.4
2000	19:00 – 24:00	1445	2.5	4.3	95.7
2600	25:00 – 30:00	847	1.5	2.5	97.5
Interim Collection Net		39	0.1	0.1	99.9
Total Re-entrained		3902	6.8	11.7	--
Total Retained		29,497	51.5	--	88.3
Total Loaded		33,399	58.3	--	--

Variations from testing Procedure

The following deviations from the *Procedure for Laboratory Testing of Oil-Grit Separators* (Version 3.0, June 2014) have been noted:

1. The Procedure stipulates that the tested device “must be a full scale, commercially available device with the same configuration and components that would be typical for an actual installation.” As noted above, the sediment capture tests were conducted with a solid secondary plate. The solid secondary plate was later modified to a 32% open area perforated plate to reduce sediment settling on the plate, while continuing to provide scour prevention. As described above, the scour test was repeated with the perforated secondary plate, but the sediment capture test was only repeated at the 600 L/min/m² SLR (i.e. one of seven tested SLRs). Removal efficiency results for the repeat test showed very close correspondence with the earlier test using the solid plate and much of the sediment that previously settled on the secondary plate was deposited in the lower collection sump (see Table 2). The independent laboratory provided the following statement regarding the potential for the added perforations to affect sediment removal efficiencies: “Taking into account the close proximity of the plate to the collection sump, as well as our knowledge of sediment transport, it is expected that the deposited sediment would have settled in the lower sump, with no impact on removal efficiency, if the plate was removed.” While the verifier acknowledges that stronger evidence would have been provided by additional repeat testing at a lower and higher SLR, the close correlation between the original and repeat test, combined with the statement from the lab were sufficient to provide reasonable confidence that adding the perforations would not likely have changed the capture test results significantly.
2. The repeat test at the 600 L/min/m² SLR had background concentrations exceeding the 20 mg/L threshold during the last half of the test. The exceedances occurred in 4 of the 8 samples collected, reaching a maximum of 28.4 mg/L. The experimental apparatus is a closed loop system. Therefore, the sediment in the background samples consists of fine particles not captured by the device, and would therefore not likely bias the mass balance results.

3. It was necessary to change flow meters during the sediment scour and light liquid re-entrainment test, as the required flows exceeded the minimum and/or maximum range of any single meter. When the flow capacity of the selected meter was reached, the flow was shut down over a period of approximately 10 seconds and all flow data saved. The next data acquisition file was executed and flow increased at a rate that corresponded to reaching each previous target flow after a period of 1-minute. This procedure was approved by CETV prior to testing, in recognition that most particles susceptible to scour at low flows would not be in the sump at higher flows. Similarly, re-entrainment of the oil beads was not expected to be significantly affected by the flow meter change.
4. As part of the capture test, evaluation of the 40 and 80 L/min/m² surface loading rate was split into 3 and 2 parts, respectively, due to the long duration needed to feed the required minimum of 11.3 kg of test sediment into the unit. At the end of the first and second parts of the test, the flow rates were gradually shutdown to prevent capture of particles that would have been washed out under normal circumstances. The amended procedure was reviewed and approved by the verifier prior to testing.

Verification

The verification was completed by the Verification Expert, Toronto and Region Conservation Authority, contracted by GLOBE Performance Solutions, using the International Standard **ISO 14034:2016 Environmental management – Environmental technology verification (ETV)**. Data and information provided by Hydroworks, LLC to support the performance claim included the following: Performance test report prepared by Alden Research Laboratory, Inc., and dated February 2018. This report is based on testing completed in accordance with the *Procedure for Laboratory Testing of Oil-Grit Separators* (Version 3.0, June 2014).

What is ISO 14034:2016 Environmental management – Environmental technology verification (ETV)?

ISO 14034:2016 specifies principles, procedures and requirements for environmental technology verification (ETV), and was developed and published by the *International Organization for Standardization (ISO)*. The objective of ETV is to provide credible, reliable and independent verification of the performance of environmental technologies. An environmental technology is a technology that either results in an environmental added value or measures parameters that indicate an environmental impact. Such technologies have an increasingly important role in addressing environmental challenges and achieving sustainable development.

For more information on the Hydroworks® HS Hydrodynamic Separator please contact:

Hydroworks, LLC
257 Cox St.,
Roselle, NJ
07203 USA
Tel: 888-290-7900
Email: info@hydroworks.com
www.hydroworks.com

For more information on ISO 14034:2016 / ETV please contact:

GLOBE Performance Solutions
404 – 999 Canada Place
Vancouver, BC
V6C 3E2 Canada
Tel: 604-695-5018 / Toll Free: 1-855-695-5018
etv@globepformance.com
www.globepformance.com

Limitation of verification Registration: GPS-ETV_VR2024-05-31_HS

GLOBE Performance Solutions and the Verification Expert provide the verification services solely on the basis of the information supplied by the applicant or vendor and assume no liability thereafter. The responsibility for the information supplied remains solely with the applicant or vendor and the liability for the purchase, installation, and operation (whether consequential or otherwise) is not transferred to any other party as a result of the verification.